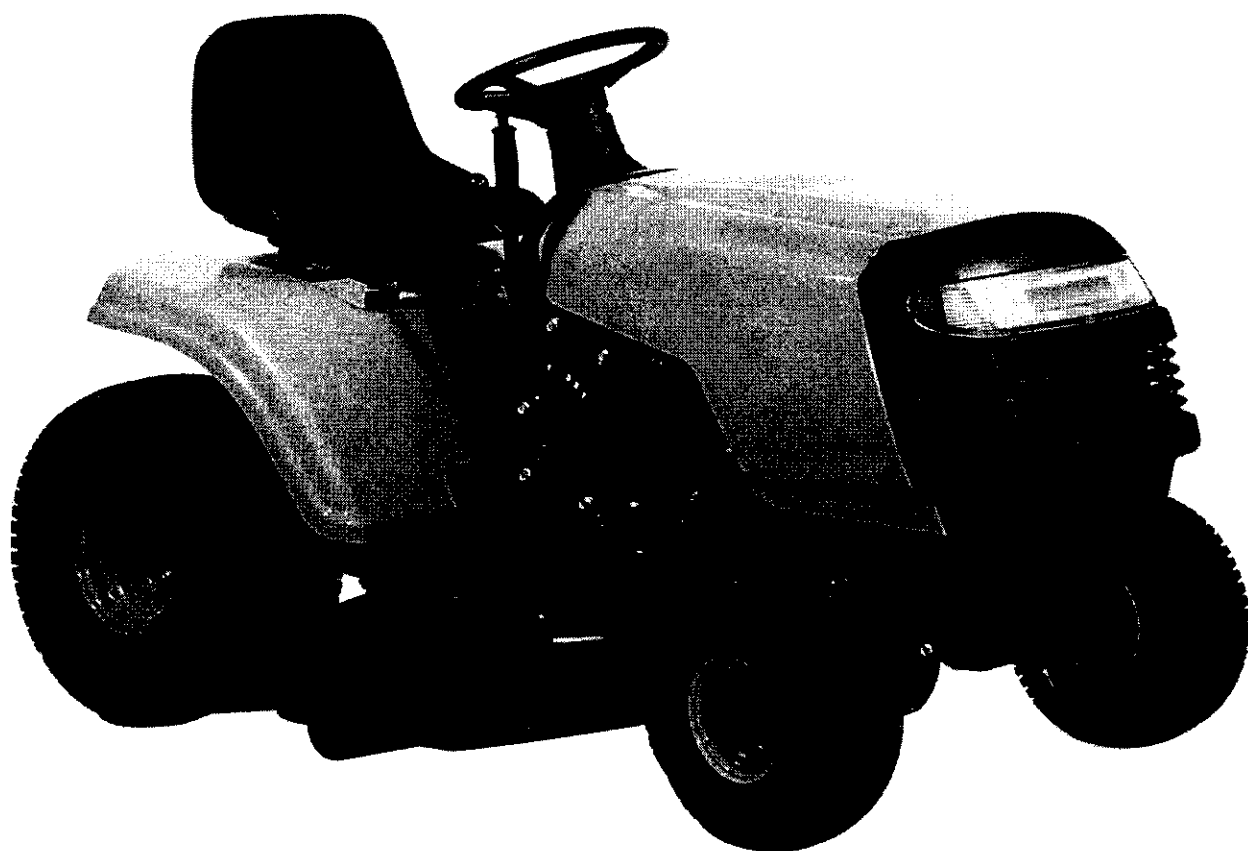


PARTNER

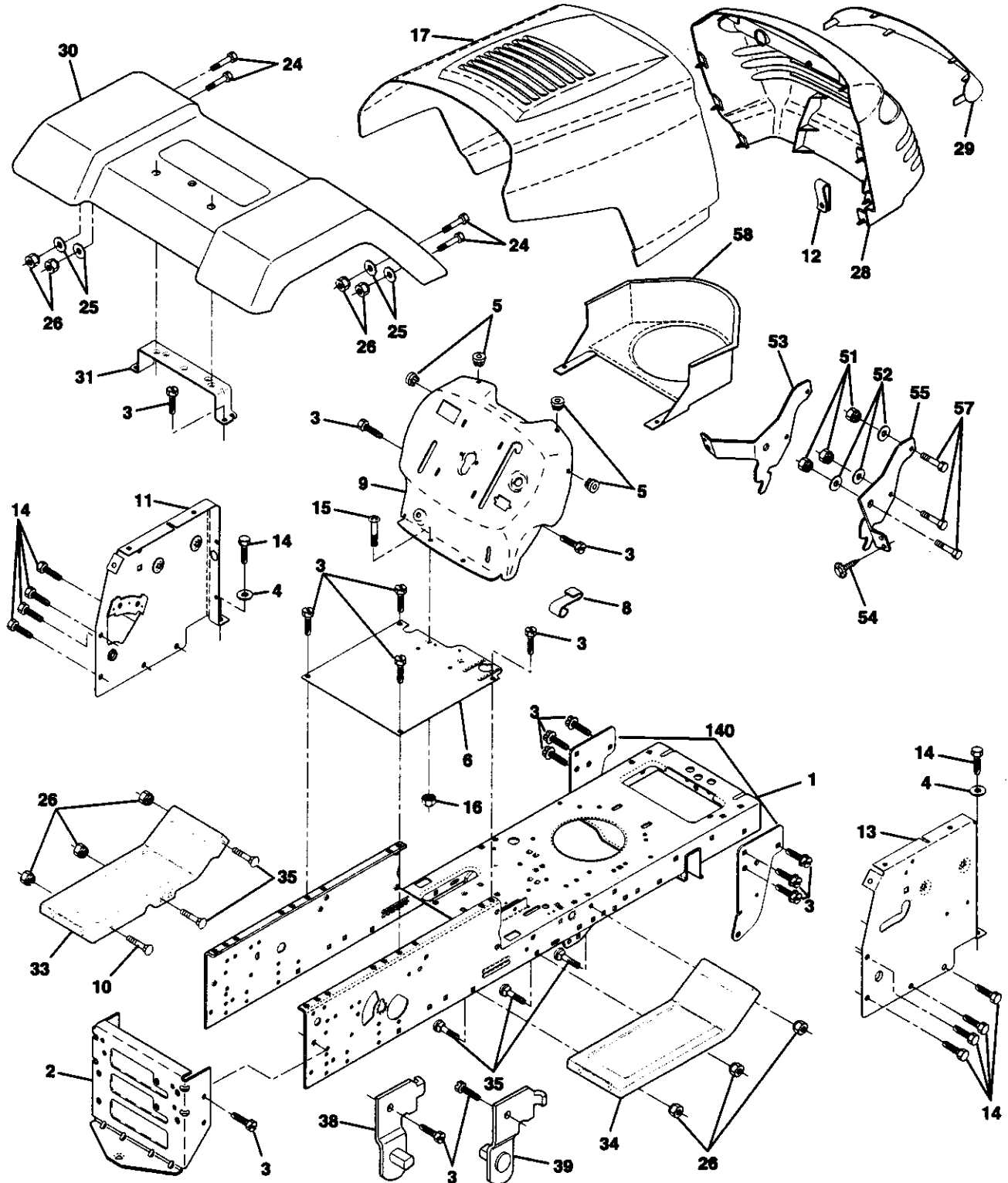
12-105 E

1997



A

CHASSIS AND ENCLOSURES

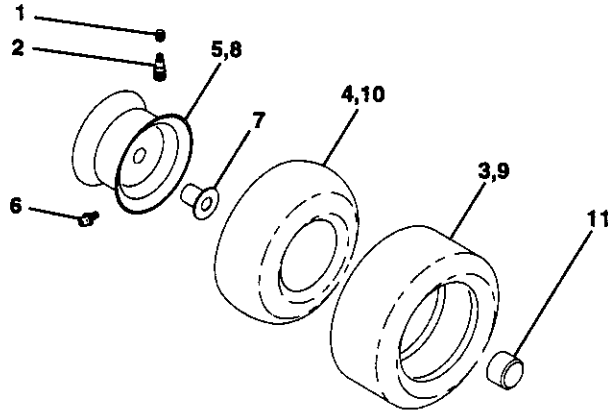




CHASSIS AND ENCLOSURES

KEY NO.	PART NO.	DESCRIPTION
1	532155051	Chassis Widmt
2	532140356	Drawbar Stretch
3	817490612	Screw Thdrol 3/8-16 x 3/4 Ty-tt
4	819131216	Washer 13/32 X 3/4 X 16 Ga.
5	532155272	Bumper Hood Dash
6	532155923	Saddle
8	532155138	Clip Retainer Slide-On
9	532157969	Dash Private Label
10	872140608	Bolt Rdhd Sqnk 3/8-16unc X 1
11	532155927	Panel Dash LH
12	532145660	Clip Tinnerman Grille P/L
13	532157262	Panel Dash RH
14	817490608	Screw Thdrol 3/8-16x1/2 Ty-tt
15	874180512	Screw Mach Trhd 5/16-18 UNC x 3/4
16	873510500	Nut Keps 5/16-18 UNC
17	532143423	Hood Pnt Steel Priv/Label
24	874780616	Bolt Fin Hex 3/8-16unc X 1 Gr. 5
25	819131312	Washer 13/32 X 13/16 X 12 Ga.
26	873800600	Nut Lock Hex w/Ins 3/8-16 Unc
28	532157373	Grille Private Label
29	532140273	Lens Grille Private Label
30	532141324	Fender Pnt LT W/shf
31	532136619	Bracket Fender Repl 109873x
33	532153539	Footrest Pnt LH
34	532153538	Footrest Pnt RH
35	872110606	Bolt Rdhd Sht Sqnk 3/8-16 X3/4
38	532139886	Bracket Asm Pvt LH MWR Rear
39	532139887	Bracket Asm Pvt RH MWR Rear
51	873800400	Nut Lock w/Insert 1/4-20
52	819091416	Washer 9/32 x 7/8 x 16 Ga.
53	532144697	Bracket Grille LH
54	817030814	Screw Lock Spider # x 7/8
55	532144696	Bracket Grille RH
57	874780412	Bolt Hex 1/4-20 x 3/4
58	532150127	Air Duct Private Label
140	532158418	Bracket Suspension Front
--	532005479	Plug Button Blk 359 Dia Choke

NOTE: All component dimensions given in U.S. inches.
1 inch = 25.4 mm.

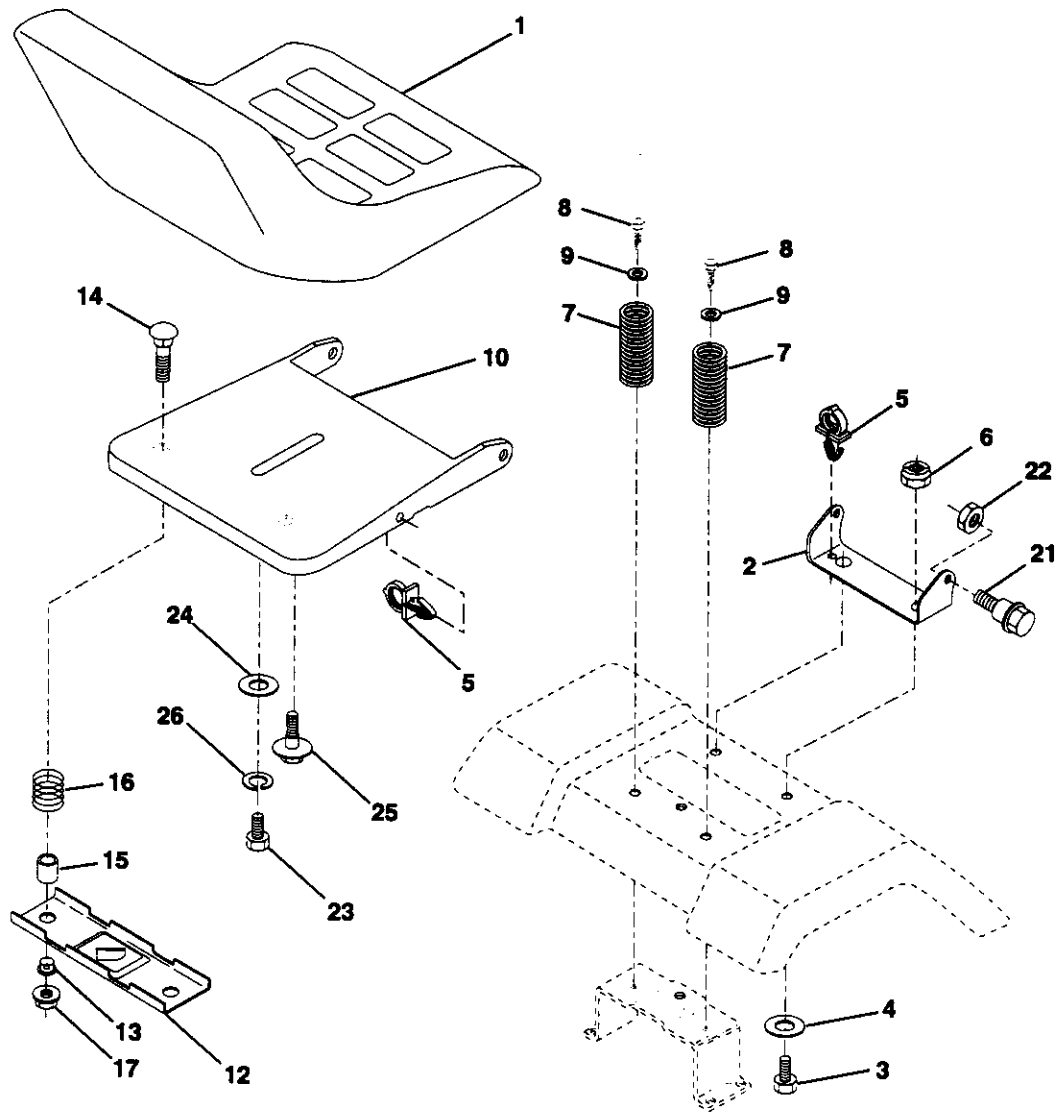


KEY NO.	PART NO.	DESCRIPTION
1	532059192	Cap Valve Tire
2	532065139	Stem Valve
3	532106222	Tire F Ts 15 X 6 0 - 6 Service
4	532059904	Tube Front (Service Item Only)
5	532125121	Rim Asm 6" front Yellow Service
6	532124957	Fitting Grease (Front Wheel Only)
7	532124959	Bearing Flange (Front Wheel Only)
8	532125122	Rim Asm 8" rear Yellow Service
9	532106268	Tire R Ts 18 x 9.5-8 C. Service
10	532124926	Tube Rear (Service Item Only)
11	532104757	Cap Axle Blk 1 50 X 1 00

NOTE: All component dimensions given in U.S. inches
1 inch = 25.4 mm

C

SEAT ASSEMBLY



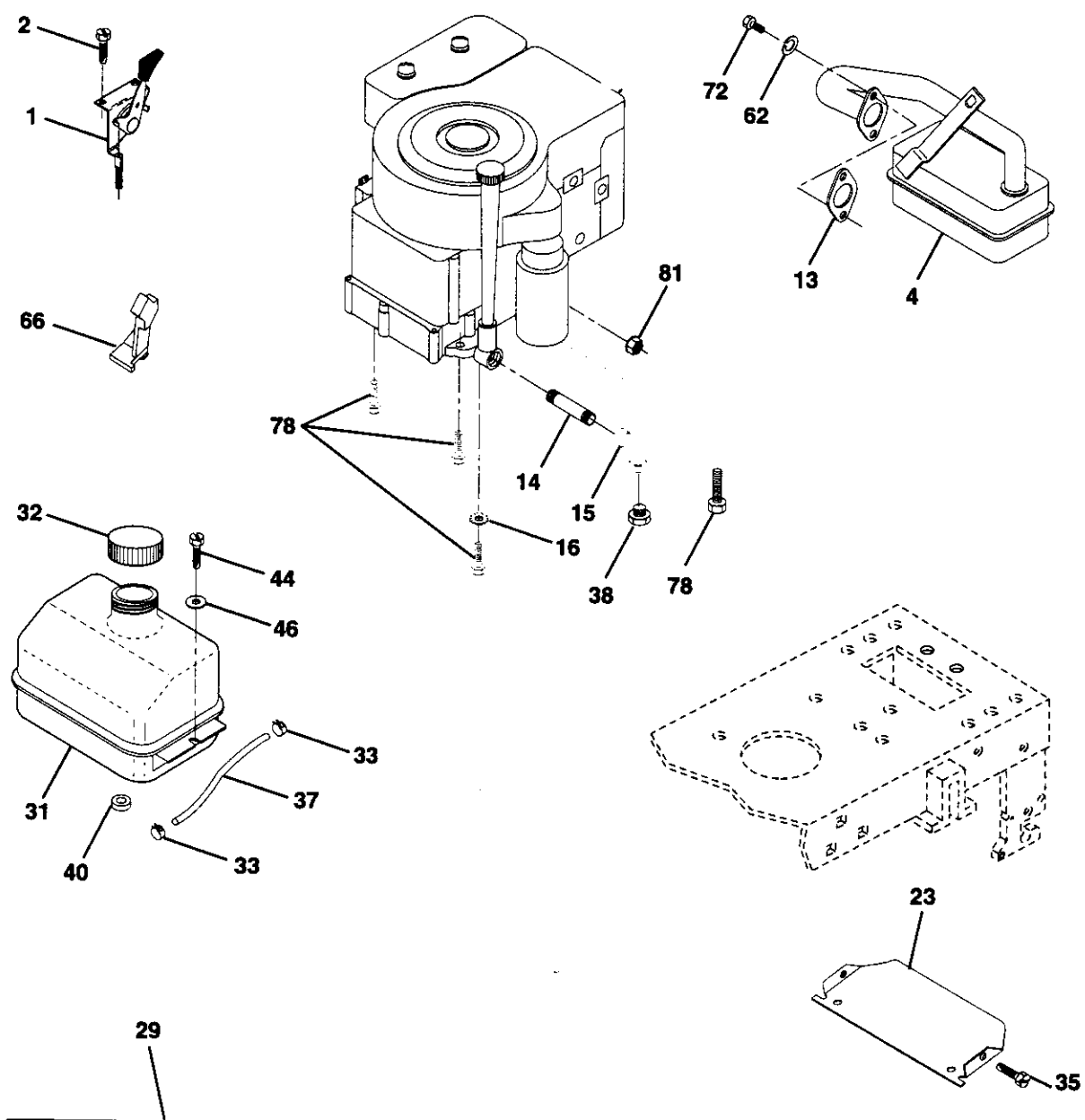
KEY NO.	PART NO.	DESCRIPTION
1	532127426	Seat
2	532140551	Bracket Pivot Seat 8 720
3	874760616	Bolt Fin Hex 3/8-16unc X 1
4	819131610	Washer 13/32 X 1 X 10 Ga
5	532145006	Clip Push-In
6	873800600	Nut Lock Hex w/Wsh 3/8-16 Unc
7	532124181	Spring Seat Cprsn 2 250 Bik Zi
8	817490616	Screw Thdrol 3/8-16 X 1 Ty-tt
9	819131614	Washer 13/32 X 1 X 14 Ga.
10	532155925	Pan Seat
12	532121246	Bracket Mounting Switch

KEY NO.	PART NO.	DESCRIPTION
13	532121248	Bushing Snap Blk Nyl 50 Id
14	872050411	Bolt Rdhd Sht Nk 1/4-20x1-3/8
15	532134300	Spacer Split 28x 96 Yel Zinc
16	532121250	Spring Cprsn 1 27 Blk Pnt
17	532123976	Nut Lock 1/4 Lge Flg Gr 5 Zinc
21	532153236	Bolt Shoulder 5/16-18 Unc -2A
23	874780814	Bolt Fin 1/2 - 13 x 7/8 Fr. 5
24	819171912	Washer 17/32 X 1-3/16 X 12 Ga.
25	532127018	Bolt Shoulder 5/16-18 X 62
26	810040800	Washer Lock Hvy HLCLSPR 1/2

NOTE: All component dimensions given in U.S. inches.
1 inch = 25.4 mm

F

ENGINE



OPTIONAL EQUIPMENT
Spark Arrester

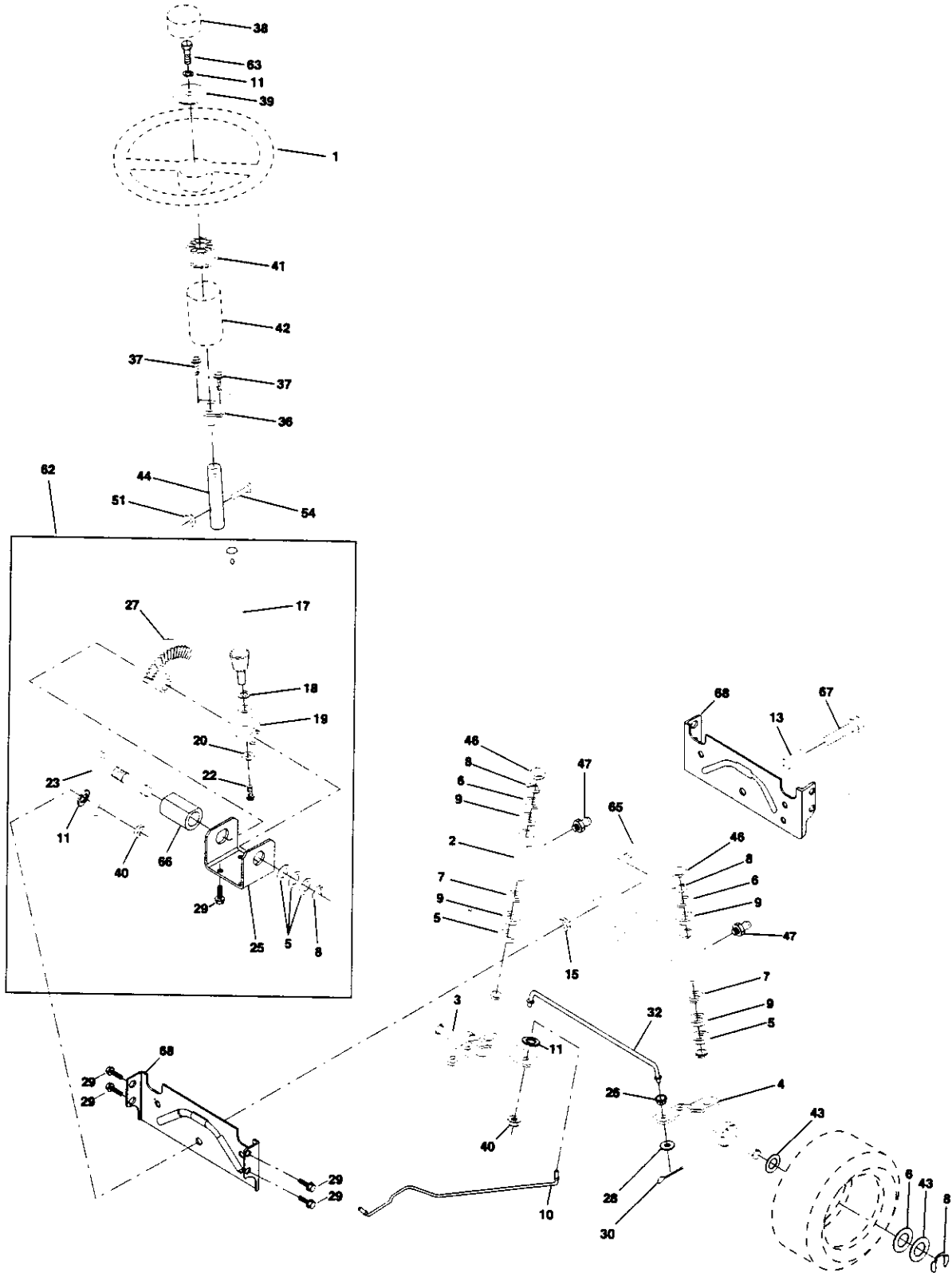
F**ENGINE**

KEY NO.	PART NO.	DESCRIPTION
1	532141359	Control Th/ch Lh Flag Eec
2	817720410	Screw Hex Thd Cut 1/4-20x5/8 T
4	532137348	Muffler LT B&S 12/12 5 HP
13	532272293	Gasket Eng 1 313 Id Tin Plated
14	813280324	Nipple Pipe 3/8 Npt X 3"
15	813200300	Elbow Std 90 Degree 3/8-18 Npt
16	811050600	Washer Lock Ext Tooth 3/8
23	532156123	Shield Browning
29	532137180	Kit Spark Arrecter
31	532109202	Tank Fuel Front 1.25
32	532140527	Cap Asm Fuel W/sym Vented
33	532123487	Clamp Hose Blk
35	817490512	Screw Thdrol 5/16-18 x 3/4
37	532137040	Line Fuel 20"
38	-----	Plug Oil Drain (Order From Engine Manufacturer)
40	532124028	Bushing Snap Nyl Blk Fuel Line
44	817490412	Screw Hexwsh Thdrol 1/4-20x3/4
46	819091416	Washer 9/32 X 7/8 X 16 Ga.
62	810040500	Washer Lock Hvy Hicl Spr 5/16
66	532127951	Stop Throt 3000 Rpm
72	871070512	Screw Hexhd Cap 5/16-18x3/4
78	817490620	Screw Thdrol 3/8-16x1-1/4 TYTT
81	532128861	Nut Flange 1/4-20

NOTE: All component dimensions given in U.S. inches
1 inch = 25.4 mm

H

STEERING ASSEMBLY



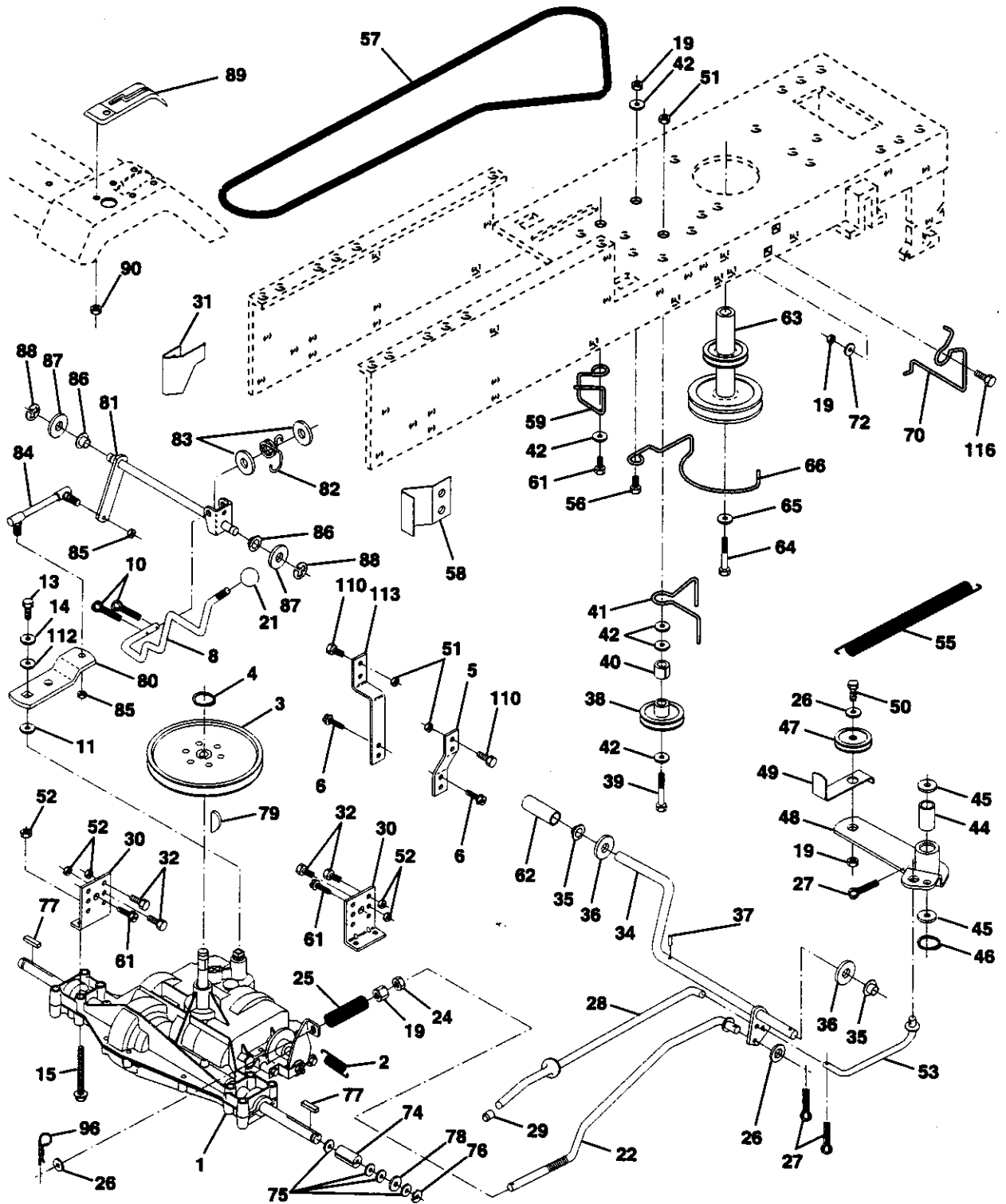
H**STEERING ASSEMBLY**

KEY NO.	PART NO.	DESCRIPTION
1	532139768	Wheel Steering Opp. Sears Blk
2	532154427	Axle Asm Fr
3	532154422	Spindle Asm LH
4	532154423	Spindle Asm RH
5	532124931	Bearing Race Thrust Harden
6	532121748	Washer 25/32 X 1-5/8 X 16 Ga
7	819272016	Washer 27/32 X 1-1/4 X 16 Ga
8	812000029	Ring Klip #15304-75
9	532124937	Bearing Col Strg Blk
10	532156438	Link Drag Extended Stamped
11	810040600	Washer Lock Hvy Hlcl Spr 3/8
13	532154779	Bearing Axle
15	873901000	Nut Lock Flange 5/8-11 Unc
17	532156546	Shaft Asm Strg
18	532057079	Washer Thrust 515x 750x 033
19	532124035	Support Shaft
20	532126684	Washer Shim 1/4 X 5/8 X 062
21	810040400	Washer Lock Hvy Helical 1/4
22	871100410	Screw Cap Socket Hd
23	532127501	Shaft Asm Pittman
25	532154406	Bracket Steering
26	532126847	Bushing Link Drag Blk LR
27	532136874	Gear Sector
28	819131416	Washer 13/32 X 7/8 X 16 Ga
29	817490612	Screw Thdrol 3/8-16x3/4 Ty-tt
30	876020412	Pin Cotter 1/8 X 3/4 Cad
32	532130465	Rod Tie Wire Form 19 75 Mech
36	532155099	Bushing Strg Nat .623/.618ld
37	532152927	Screw TT #10-32 x 5 x 3/8 Flange
38	532140175	Cap Wheel Steer P/L
39	819133808	Washer 13/32 X 2-3/8 X 8 Ga
40	532124701	Nut Lock Center 3/8-24unf
41	532100711	Adaptor Wheel Strg
42	532145054	Boot Shaft Steering
43	532121749	Washer 25/32 X 1 1/4 X 16 Ga
44	532153720	Extension Steering
46	532121232	Cap Spindle Fr Top Blk
47	532124836	Fitting Grease
51	873800500	Nut Lock Hx w/Ins 5/16-18 Unc
54	874780520	Bolt Fin Hex 5/16-18 Unc x 1-1/4
62	532156594	Kit Steering Assembly Serv
63	874780616	Bolt Fin Hex 3/8-16 UNC Gr. 5
65	532154780	Spacer Axle
66	532154404	Bearing Arm Pittman
67	874781044	Bolt Fin Hex 5/8-11 UNC x 2-3/4
68	532154429	Brace Axle

NOTE: All component dimensions given in U.S. inches.
1 inch = 25.4 mm.

L

DRIVE



L

DRIVE

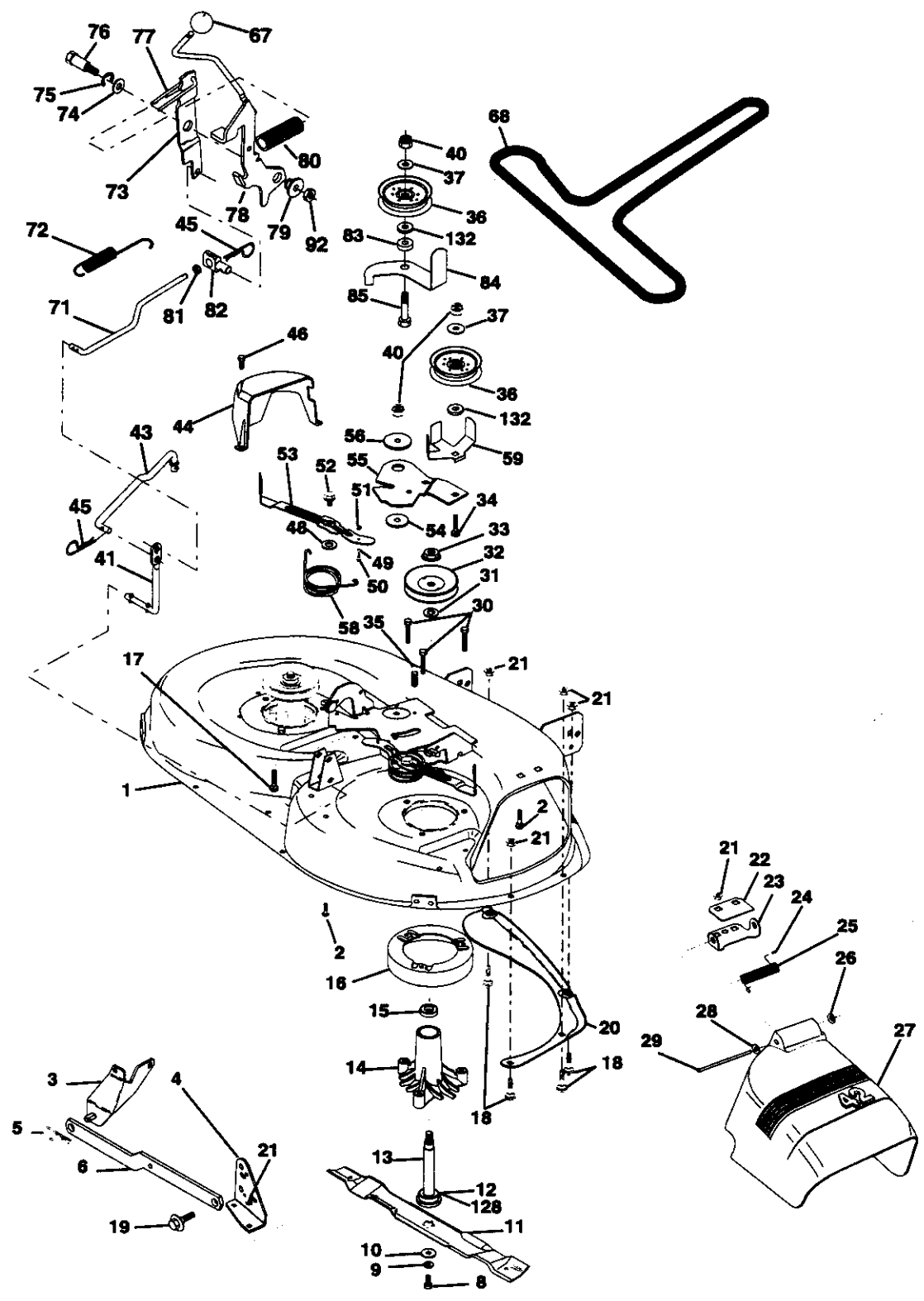
KEY NO.	PART NO.	DESCRIPTION
1	-----	Transaxle
2	532142431	Spring, Return, Brake
3	532143995	Pulley, Transaxle
8	532141003	Rod Shift Hydro LT
10	876020416	Pin Cotter 1/8 x 1 CAD
15	874490544	Bolt Fin Hex 5/16-18 Unc
16	873800500	Nut Lock Hex W/Ins. 5/16-18 Unc P
18	874780616	Bolt Fin Hex 3/8-16 Unc x 1 Gr. 5
19	873800600	Nut Lock Hex W/Wsh 3/8-16 Unc
21	532140845	Knob 1/2-13
22	532145627	Rod, Brake Hydro
24	873350600	Nut
25	532106888	Spring, Brake Rod
26	819131316	Washer
27	876020412	Pin Cotter 1/8 x 3/4 CAD.
28	532145204	Rod, Parking Brake
29	532071673	Cap, Parking Brake
30	532130807	Bracket, Transaxle
31	532127275	Keeper Belt Lh
32	874760512	Bolt Hex Hd 5/16-18 Unc x 3/4
34	532155071	Shaft, Foot Pedal
35	532120183	Bearing, Nylon
36	819211616	Washer
37	532124963	Pin, Roll
38	532123674	Pulley, Idler, Flat
39	874760644	Bolt
40	532124965	Spacer, Split
41	532154777	Keeper, Belt Idler
42	819131312	Washer 13/32 x 13/16 x 12 Gauge
47	532127783	Pulley, Idler, V-Groove
48	532154604	Bellcrank Assembly
49	532123205	Retainer, Belt
50	874760624	Bolt
51	873680600	Nut
52	873680500	Nut Crownlock 5/16-18 UNC
53	532105710	Link, Clutch
55	532105709	Spring, Return, Clutch
56	874760620	Bolt Fin Hex 3/8-16 x 1-1/4
57	531020667	V-Belt, Ground Drive
59	532140312	Keeper, Center Span
61	817490612	Screw Thdrol. 3/8-16 x 3/4 Ty. TT
62	532124872	Cover, Pedal
63	532140186	Pulley, Engine

KEY NO.	PART NO.	DESCRIPTION
64	871170764	Bolt, Hex
65	810040700	Washer
66	532154778	Keeper Belt Engine
69	532142432	Screw
70	532134683	Keeper Belt Engine
71	532141417	Strap Torque Lh Hydro
72	819132012	Washer 13/32 x 1-1/4 x 12 Gauge
73	532141418	Strap Torque Rh Hydro
74	532121199	Spacer, Split
75	532121749	Washer 25/32 x 1-1/4 x 16 Gauge
76	812000001	E-Ring
77	532123583	Key, Square
78	532121748	Washer 25/32 x 1-5/8 x 16 Gauge
81	532141420	Shaft Asm. Cross Hydro
82	532123782	Spring Torsion T/A
83	819171216	Washer 17/32 x 3/4 x 16 Ga.
84	532141423	Rod, Tie Hydro
86	532071208	Bushing Rod Strig. 629/632 ID
87	819212016	Washer 21/32 x 1-1/4 x 16 Ga.
88	812000008	Ring Klip #5304-62
89	532151147	Console, Shift
91	874780536	Bolt Fin Hex 5/16-18 x 2-1/4
92	874780524	Bolt Fin Hex 5/6-18 Unc x 1-1/2
93	532142564	Line Fuel Hydro 4"
94	532140462	Fan, Hydro 7"
95	532144643	Control Asm Bypass Hydro
96	532124788	Retainer Spring 1" Zinc/Cad
97	532144201	Keeper Belt Rh Hydro
98	873510600	Nut Keps Hex 3/8-16 Unc
100	819111216	Washer 11/32 x 3/4 x 16 Ga.
102	532141322	Washer Belleville .501D x 1.50D
103	873940800	Nut Hex Jam Toplock 1/2-20 Unf
104	532141421	Arm, Control Hydro
105	871070516	Screw Cap Hex 5/16 x 18 x 1
106	874780520	Bolt Fin Hex 5/16-18 Unc x 1-1/4
108	817541026	Screw Hex Wh Hd #10-24 x 1-5/8
109	532145098	Adaptor Fan Hydro Lt. Hydro Alum
116	872110610	Bolt Rdhd Sq Neck 3/8-16 x 1.25
118	532154774	Spacer Bellcrank
121	532154419	Nyliiner Clutching STL

NOTE: All component dimensions given in U.S. inches
1 inch = 25.4 mm

M

MOWER



M

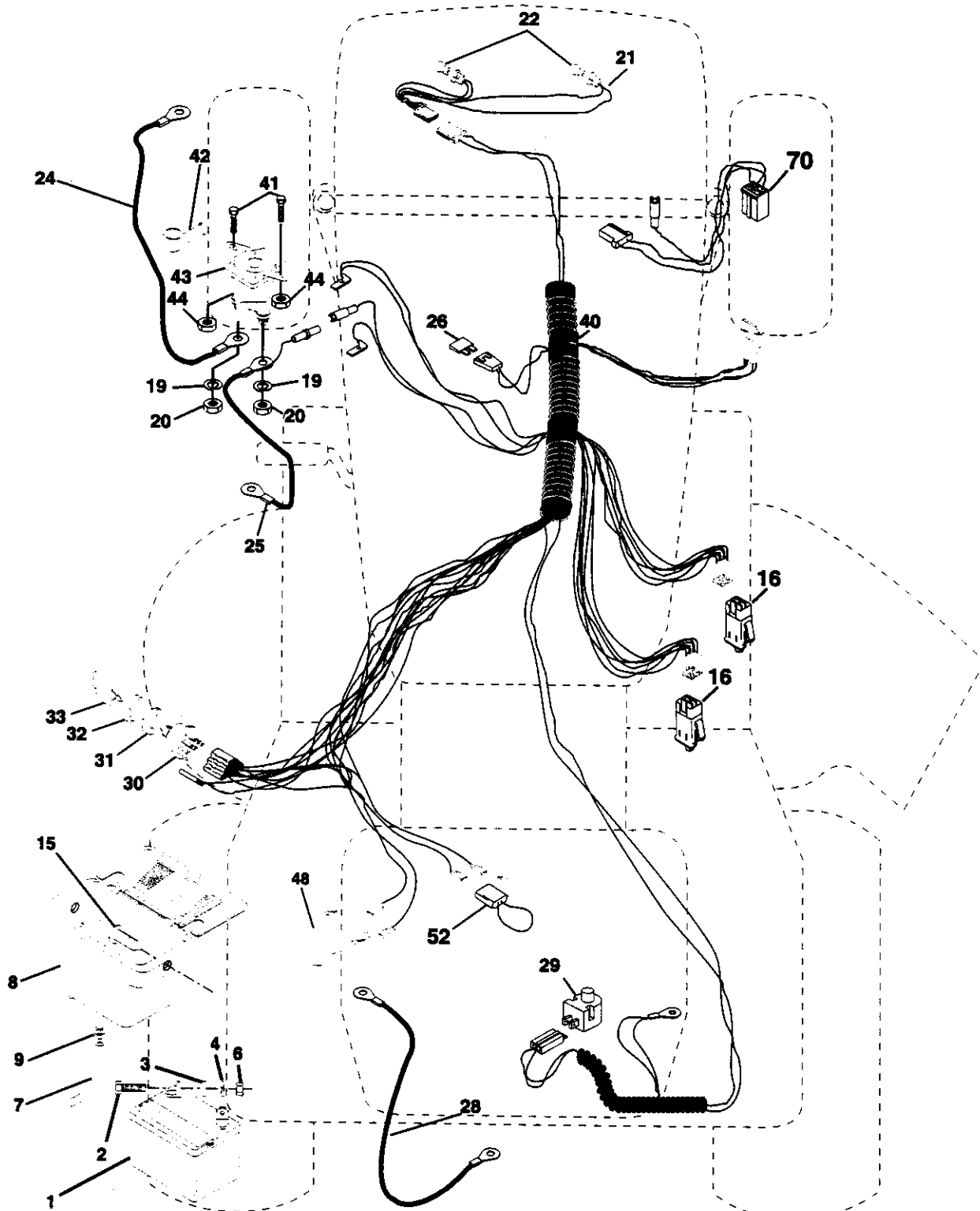
MOWER

KEY NO.	PART NO.	DESCRIPTION	KEY NO.	PART NO.	DESCRIPTION
1	532144393	Housing Asm Mower 42" T-Path	45	532124788	Spring Retainer 1" Zinc/cad
2	872140506	Bolt Rdhd Sqnk 5/16-18unc X3/4	46	532137729	Screw Hex Thd Cut 1/4-20x5/8 T
3	532138017	Bracket Asm Fr Sway Bar 38/42	48	532133944	Washer Hardened Smaller
4	532138440	Bracket Asm Deck 42" sway Bar	49	532155066	Roller Asm Cam Follower 42" dec
5	532124670	Retainer Spring	50	532131340	Bolt Shldr 10-24 Zinc Gr 5 42"
6	532130832	Arm Suspension Rear	51	532069180	Nut Lock #10-24 Unc
8	532850857	Bolt 3/8 - 24 X 1.25 Gr 8	52	532139888	Bolt Shoulder 5/16-18 Unc Blkz
9	810030600	Washer Lock Hvy 3/8 Unplated	53	532157388	Arm Asm Pad Brake
10	532140296	Washer Hard Blade Mower	54	532133943	Washer Hardened
11	531020663	Blade Mower High Lift	55	532155046	Arm Idler 42" mower LT/YT
12	532129895	Bearing Ball # 6204 (Mandrel)	56	532122052	Spacer Retainer Pm Mower
13	532137645	Shaft Asm W/Lower Bearing	58	532140086	Spring Torsion Brakes 42"
14	532128774	Housing Mandrel Vented (Machd)	59	532141043	Guard TUV Idler
15	532110485	Bearing Ball Mandrel	67	532106932	Knob Rd 3/8-16 Plstc Thds Blk
16	532140329	Stripper Round Mower	68	531020670	V-Belt Mower
17	872110610	Bolt Rdhd Sqnk 3/8-16 X 1-1/4	71	532142427	Rod Clutch Primary 38/42
18	872140505	Bolt Carr 5/16-18 X 5/8	72	532131870	Spring Return
19	532132827	Bolt Shoulder	73	532127847	Arm Clutch Secondary
20	532136888	Baffle Vortex 42"	74	532121748	Washer 25/32 X 1-5/8 X 16 Ga
21	873680500	Nut Crown Lock 5/16-18	75	812000029	Ring Klip #t5304-75
22	532134753	Stiffener Bracket 42" deck	76	532128903	Bolt Shoulder 3/8-16 Unc 1 44
23	532131267	Bracket Deflector Mower 42"	77	532127845	Keeper Spring 4 000
24	532105304	Cap Sleeve 80x 112 Blk Mower	78	532154809	Arm Asm Clutch Primary
25	532123713	Spring Torsion Deflector 2 52	79	532127498	Bushing 747 Od X 794 Lg Brass
26	532110452	Nut Push Phos & Oil	80	532153701	Spring Clutch Mower
27	532130968	Shield Deflector Mower 42"	81	873350600	Nut Hex Jam
28	819111016	Washer 11/32 X 5/8 X 16 Ga.	82	532142028	Trunnion Adj.
29	532131491	Rod Hinge 42" 6 75 Wig	83	532120958	Washer Sintered
30	532138776	Bolt 5/16-18 X 1 25 T/t	84	532156084	Keeper Belt Idler
31	532129963	Washer Spacer Mower Vented	85	872140618	Bolt RdHd Sqnk 3/8-16 x 2-1/4 Gr. 5
32	532153535	Pulley Mandrel 42/44/50	92	873800600	Nut Lock Hex w/Wsh 3/8-16 Unc
33	532137266	Nut 9/16 Top Lock Fing Oil Dip	128	532153390	Washer Felt
34	872110614	Bolt Rdhd 3/8-16unc X 1-3/4 Gr5	132	819132203	Spacer Washer 13/32 I.D. x 1-3/8 O.D. x 1/4
35	532133835	Fastner Christmas Tree	--	532144783	Deck Serv 42" Mech Vent
36	532131494	Pulley Idler Fiat 3 060	--	532130794	Mandrel Asm Service (Includes Key Nos. 8-10, 12-15, 31 and 33)
37	819131316	Washer 13/32 X 13/16 X 16			
40	873680600	Nut, Crownlock 3/8-16 UNC			
41	532133551	Rod Pivot W/nibs			
43	532140083	Rod Clutch Secondary W/nibs			
44	532140088	Guard Mandrel LH Black			

NOTE: All component dimensions given in U.S. inches
1 inch = 25.4 mm

P

ELECTRICAL

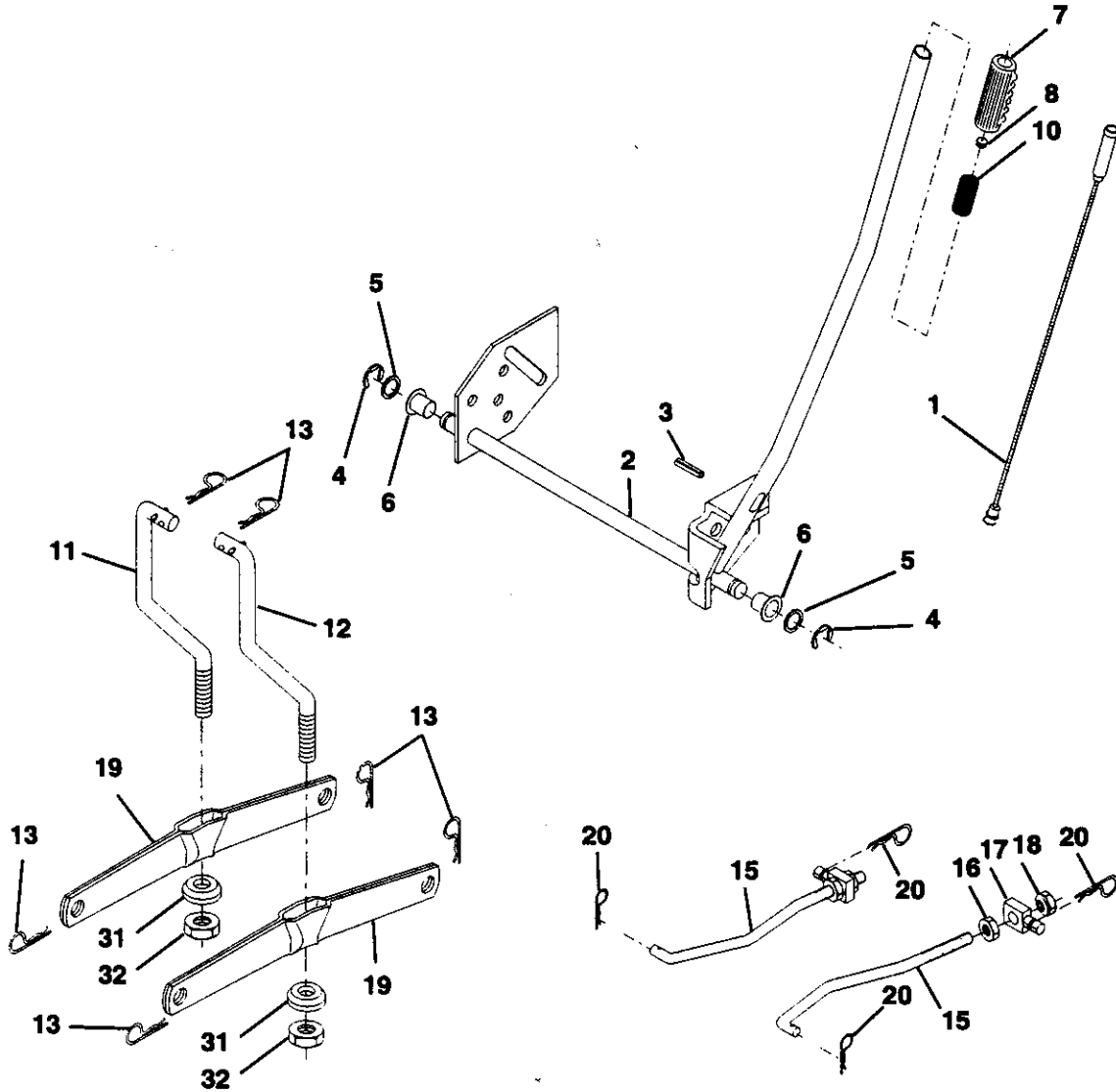


KEY NO.	PART NO.	DESCRIPTION
1	532144925	Battery 12 Volt 25 AMP
2	874760412	Bolt Hex Hd 1/4-20unc X 3/4
3	819091016	Washer 9/32 X 5/8 X 16 Ga.
4	810040400	Washer Lock Hvy Helical 1/4
6	873220400	Nut Fin Hex 1/4-20 Unc
7	532109238	Tube Plastic 12"
8	532156417	Case Battery Hng Mech W/lid
9	532109596	Clamp Hose Olive
15	532147688	Fastner Snap-In
16	532153664	Switch Interlock Push-In
19	810090400	Washer Lock 1/4
20	873350400	Nut Jam Hex 1/4-20 Unc
21	532136850	Harness Asm Light W/4152j
22	532004152	Bulb Light #1156
24	532124780	Cable Battery 6 Ga 11" Red
25	532146147	Cable Battery 6 Ga Red w/16 wir
26	532108824	Fuse 30 AMP Auto Green
28	532124773	Cable Ground 6 Ga 12" black
29	532121305	Switch Plunger Nc Gray
30	532140301	Switch Ign 4 Pos W/Lights
31	532124211	Nut Ignition
32	532141226	Cover Sw Ignition
33	532122147	Key
40	532156442	Harness Ing Cl Am Hm
41	871110408	Bolt Blk Fin Hex 1/4 - 20 x 1/2
42	532131563	Cover Terminal Red
43	532145673	Solenoid
44	873640400	Nut Keps Blk Hex 1/4-20 Unc
48	532140844	Adapter Ammeter Rectangular
52	532141940	Protection Wire Loop
70	532140413	Harness, Eng.

NOTE: All component dimensions given in U.S. inches.
1 inch = 25.4 mm.



MOWER LIFT



KEY NO.	PART NO.	DESCRIPTION
1	532136973	Wire Asm Inner W/Plunger
2	532145117	Shaft Asm Lift
3	532105767	Pin Groove
4	812000002	E Ring #5133-62
5	819211621	Washer PLTD 21/32 X 1 X 21ga
6	532120183	Bearing Nylon Blk 629 Id
7	532109413	Grip Handle Bicycle Matte Blk
8	532124526	Button Plunger Black
10	532122512	Spring Cprsn 3 750 Oiled
11	532139865	Link Lift LH
12	532139866	Link Lift RH

KEY NO.	PART NO.	DESCRIPTION
13	532124670	Retainer Spring
15	532127218	Link Front
16	873350800	Nut Jam Hex 1/2-13 Unc
17	532130171	Trunnion Blk Zinc
18	873800800	Nut Lock W/wsh 1/2-13unc
19	532139868	Arm Suspension Rear
20	532124660	Retainer Spring
31	532140302	Bearing Pvt Lift Spherical
32	873540600	Nut Crownlock 3/8-24

NOTE: All component dimensions given in U.S. inches
1 inch = 25.4 mm